



# POOL TABLE Assembly Instruction

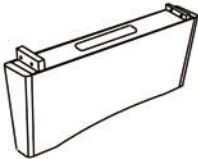


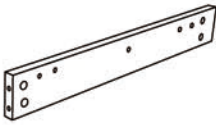
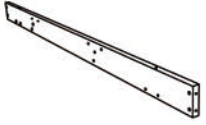
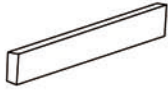
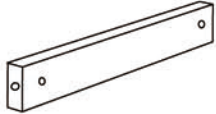

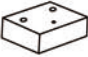
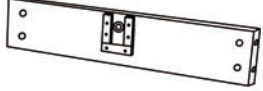
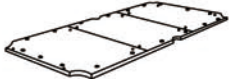




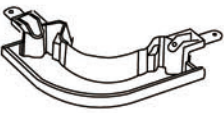








ITEM NO:9200.428

9200.429

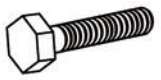

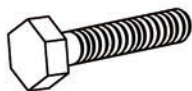
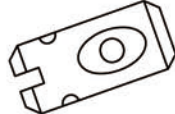


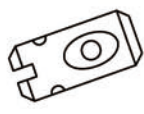















# PARTS LIST



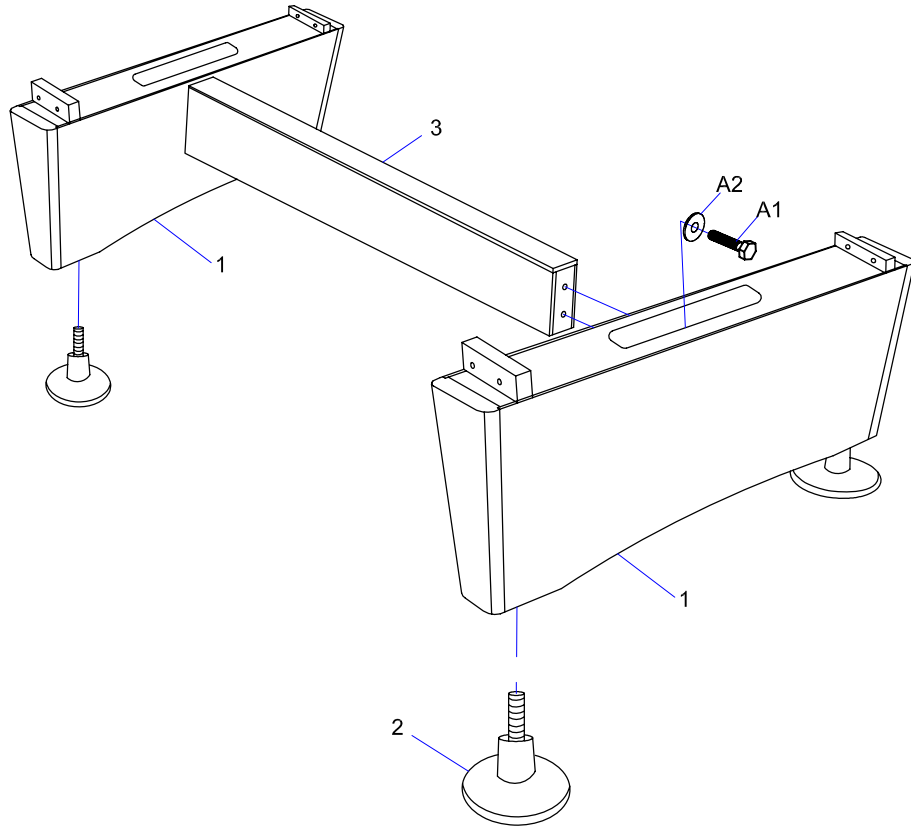
<p>#1</p>  <p>Leg 2 pieces</p>	<p>#2</p>  <p>Leg Leveler 4 Sets</p>	<p>#3</p>  <p>Leg Stretcher 1 piece</p>	<p>#4</p>  <p>End cross beam 2 pieces</p>
<p>#5</p>  <p>Main beam 2 pieces</p>	<p>#6</p>  <p>Cross beam(A) 1 piece</p>	<p>#7</p>  <p>Cross beam(B) 2 pieces</p>	<p>#8</p>  <p>4 pieces</p>
<p>#9</p>  <p>4 pieces</p>	<p>#10</p>  <p>Mid Cross Beam 2 pieces</p>	<p>#11</p>  <p>Slate 1 Set</p>	<p>#12</p>  <p>Panel angle steel 4 pieces</p>
<p>#13</p>  <p>End rail 2 pieces</p>	<p>#14</p>  <p>Side rail(A) 2 pieces</p>	<p>#15</p>  <p>Side rail(B) 2 pieces</p>	<p>#16</p>  <p>End rail corner 4 pieces</p>
<p>#17</p>  <p>Side rail corner 2 pieces</p>	<p>#18</p>  <p>Side apron 2 pieces</p>	<p>#19</p>  <p>End apron 2 pieces</p>	<p>#20</p>  <p>Basket A 4 pieces</p>
<p>#21</p>  <p>Basket B 2 pieces</p>	<p>#22</p>  <p>8 pieces</p>		

# PARTS LIST

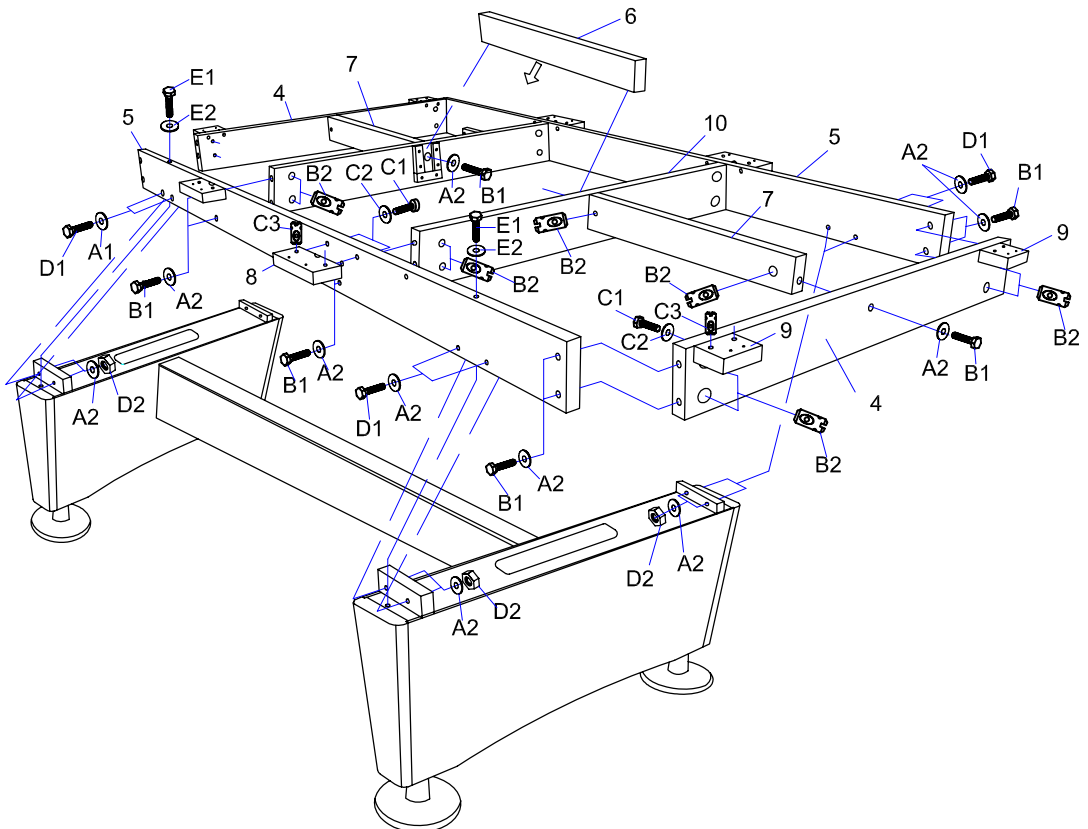


A		B			
<p>A1</p>  <p>3/8"*2-1/4" Bolt 4 pieces</p>	<p>A2</p>  <p>3/8"*25mm Washer 40 pieces</p>	<p>B1</p>  <p>3/8"*3-3/4" Bolt 20 pieces</p>	<p>B2</p>  <p>3/8"*30mm Nut 20 pieces</p>		
C		D			
<p>C1</p>  <p>1/4"*3" Bolt 16 pieces</p>	<p>C2</p>  <p>1/4"*16mm Washer 16 pieces</p>	<p>C3</p>  <p>1/4"*15mm Nut 16 pieces</p>	<p>D1</p>  <p>3/8"*3-1/2" Bolt 8 pieces</p>		
E		F			
<p>D2</p>  <p>3/8" Nut 8 pieces</p>	<p>E1</p>  <p>12*160mm Bolt 4 pieces</p>	<p>E2</p>  <p>12*28*2mm Washer 4 pieces</p>	<p>F</p>  <p>12#*2-1/2" Screw 12 pieces</p>		
G		H			
<p>G1</p>  <p>3/8"*1-1/4" Bolt 12 pieces</p>	<p>G2</p>  <p>3/8"*35mm Washer 30 pieces</p>	<p>H1</p>  <p>5/16"*1-1/2" Bolt 18 pieces</p>	<p>H2</p>  <p>5/16"*19mm Washer 18 pieces</p>		
I		J		K	
<p>I</p>  <p>1/4"*3/4" Bolt 16 pieces</p>	<p>J</p>  <p>3/8"*1-3/4" Bolt 18 pieces</p>	<p>K1</p>  <p>3/16"*5/8" Bolt 12 pieces</p>	<p>K2</p>  <p>3/16" Washer 12 pieces</p>		
L		M			
<p>L</p>  <p>Allen 1 piece</p>	<p>M</p>  <p>Wrench 1 piece</p>				

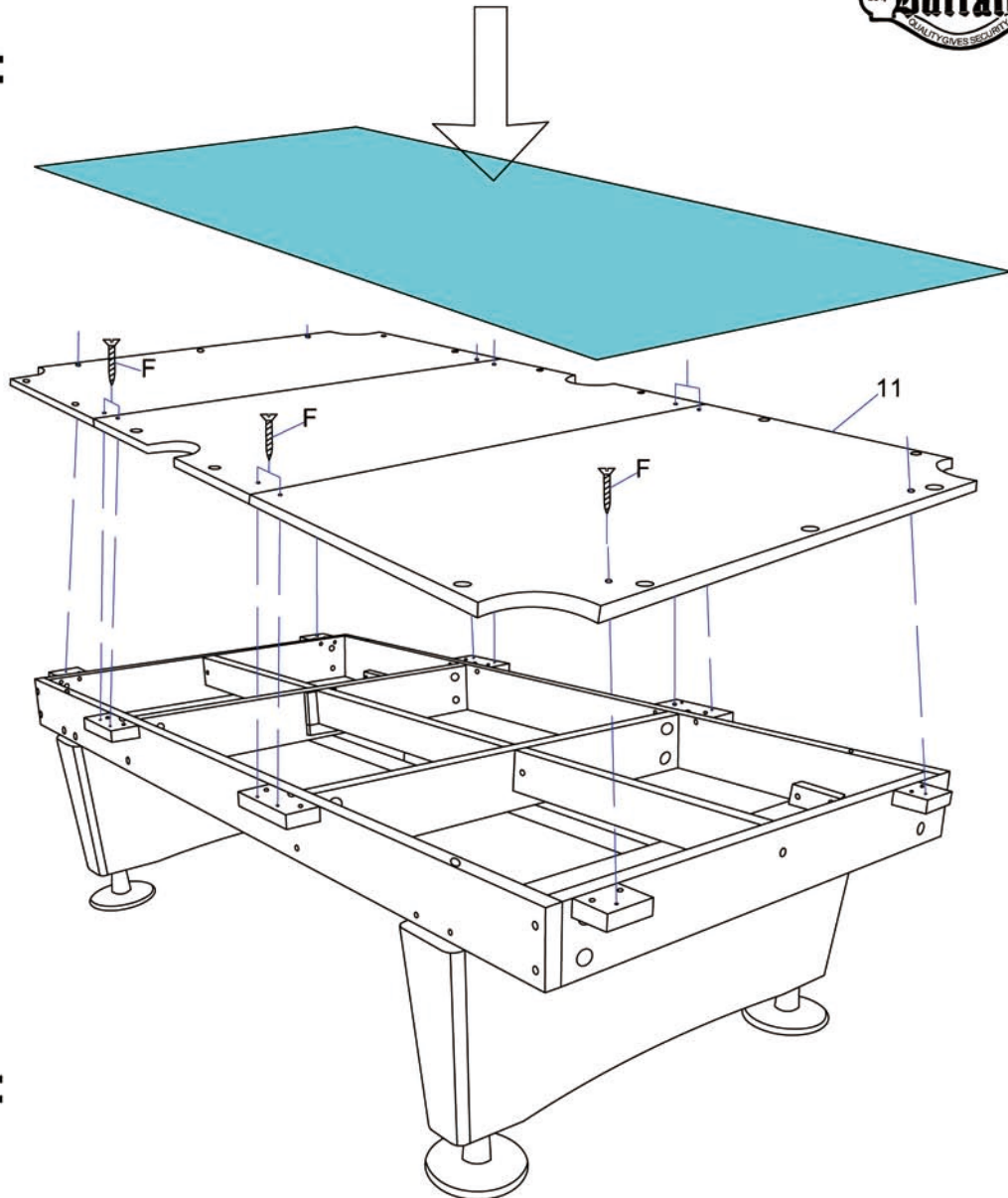
# STEP 1:



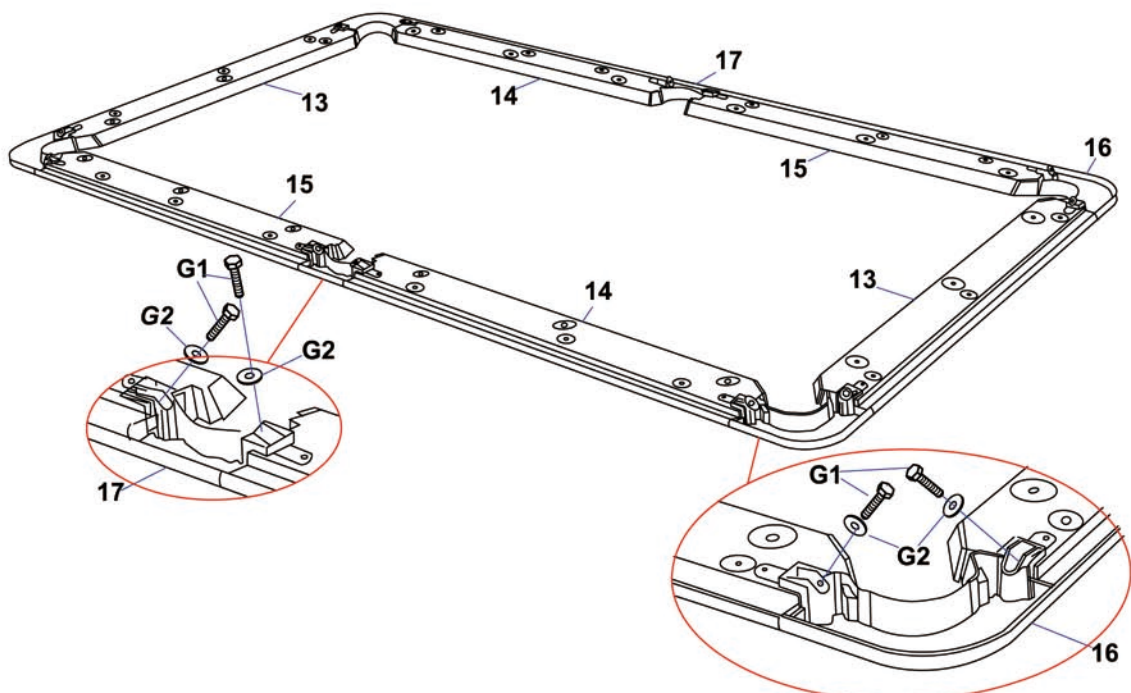
# STEP 2:



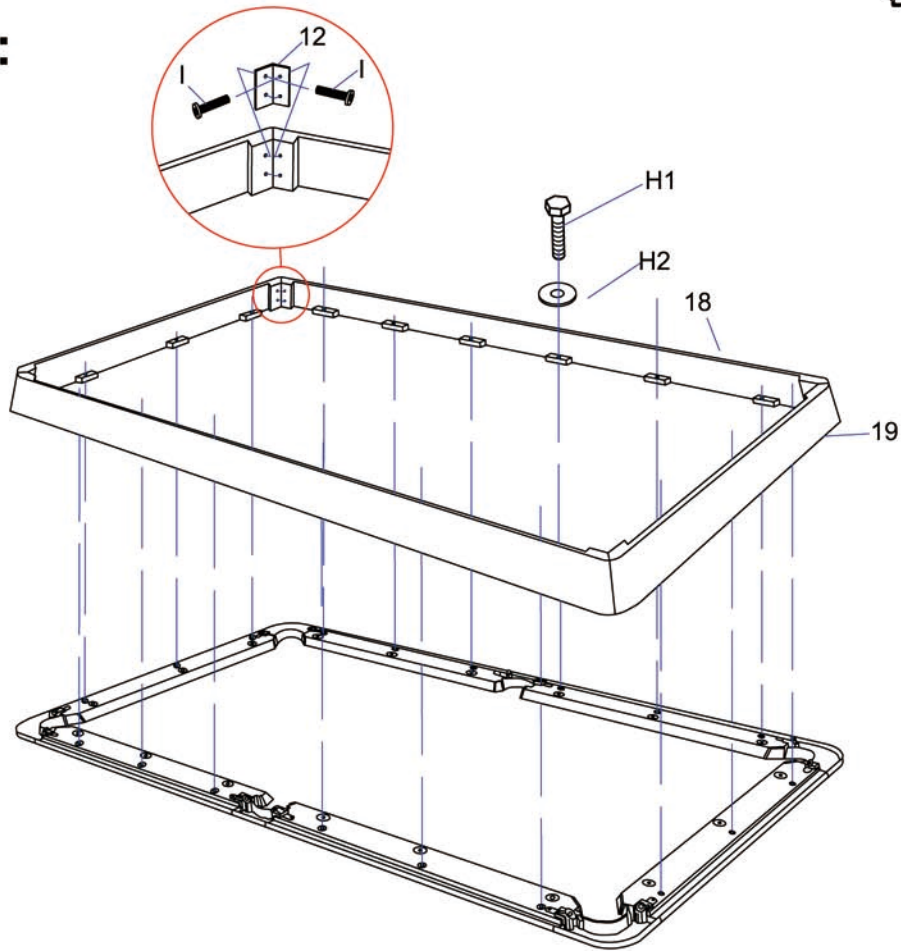
**STEP 3:**



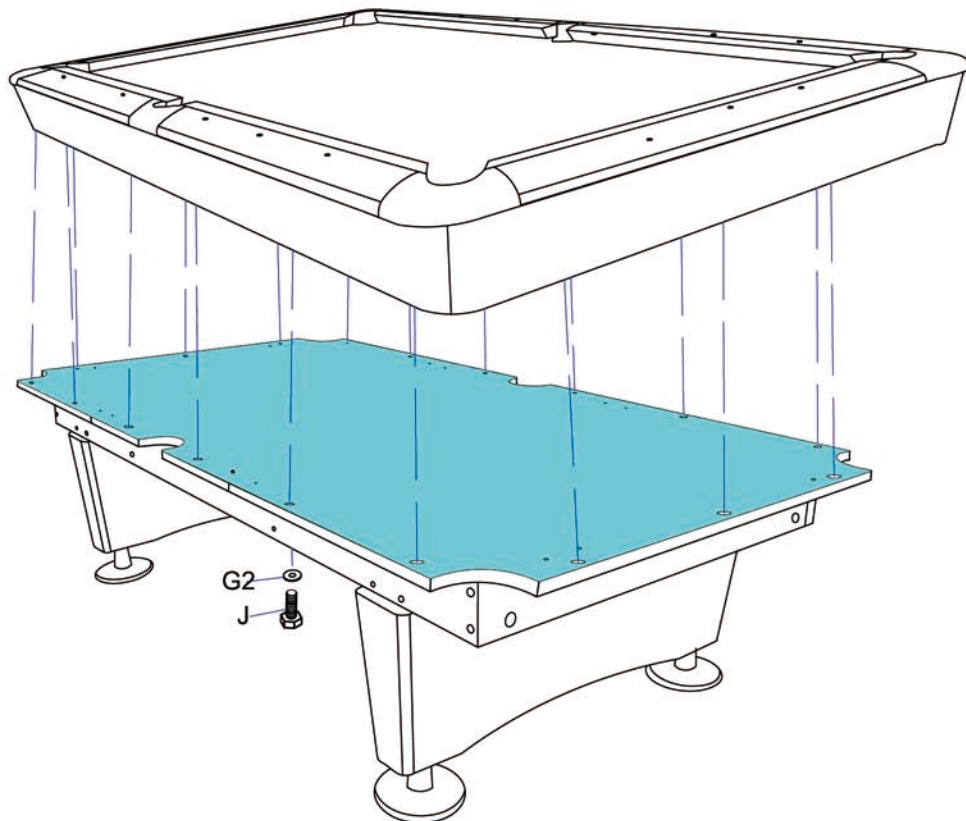
**STEP 4:**



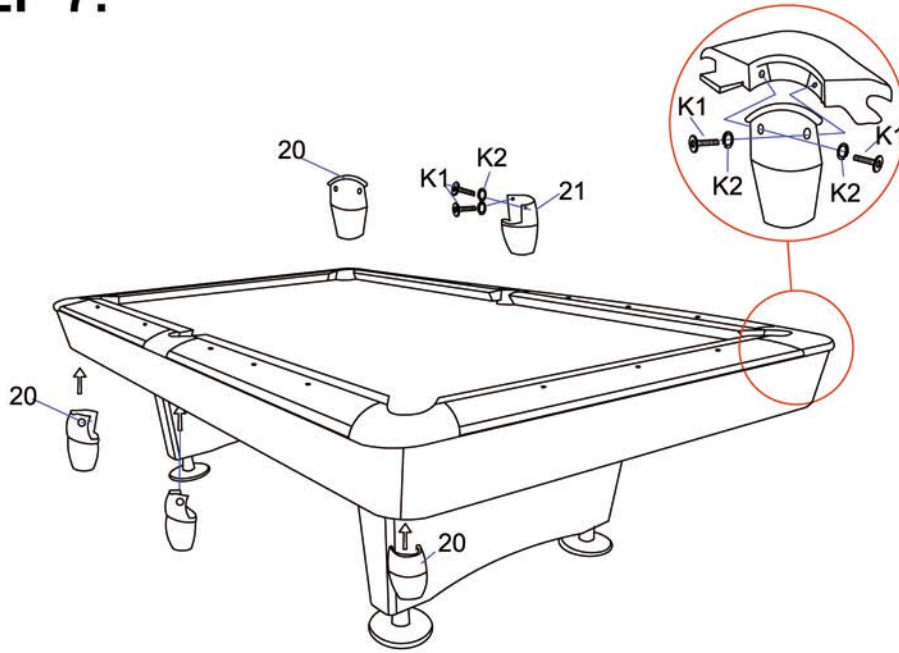
# STEP 5:



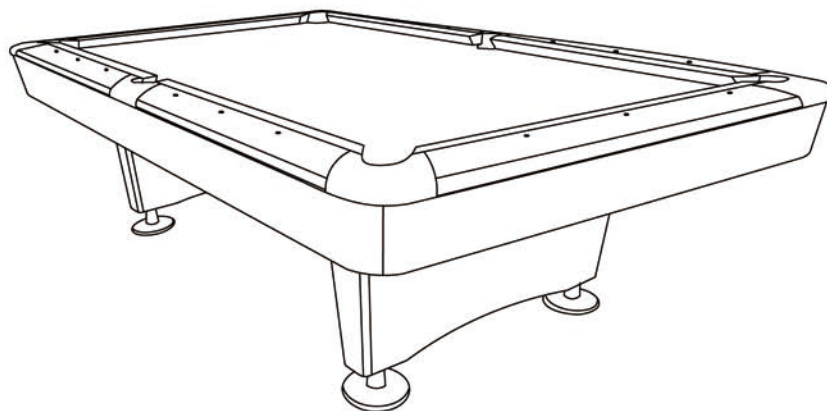
# STEP 6:



**STEP 7:**



**STEP 8:**



**-END-**